



MANUFACTURING, INC.

# Technical Bulletin HP-NA 1000R & HP-NA 1000C

## **Non-Absorbent Hand Printer**

U.S. PATENT NO. 5,109,769 E.P. PATENT NO. 0508971

Model Shown: HP-NA-1000R & HP-NA-1000C

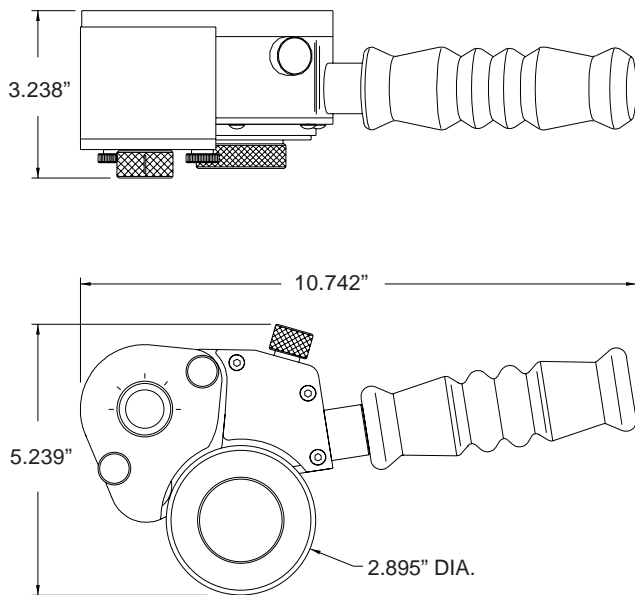


JMD'S Non-Absorbent Hand Printer fills the requirement for a portable, hand held roll coder designed for marking on metal, plastic, glass, rubber and other materials that require fast drying solvent based inks

This unit utilizes the unique technology of a patented Non-Absorbent Inking System. This system effectively prevents the evaporation of solvents from the enclosed ink roll and allows the usage of inks that dry as fast as 2 seconds at 75 degree F. ambient temperatures.

The print drum's cam indexing mechanism provides for accurate print registration on smaller parts or the unit can be used in a continuous print mode for printing long lengths of material such as metal sheets.

JMD'S Non-Absorbent Inking System utilizes both an ink roll and an engraved anilox roll to apply ink to the rubber printing dies. Both rolls are mounted in a tightly sealed aluminum housing which effectively prevents solvent evaporation from the ink roll during use. Precision machined from aircraft grade aluminum alloy, this coder is designed for "industrial duty" applications.



### FEATURES

- Precision machined anodized aluminum construction
- Sealed ball bearings for smooth print drum rotation
- Comfortable foam grip handle
- Easily removable print drum simplifies type setting
- Reset or continuous print without modification

### SPECIFICATIONS

HP-NA-1000 Reset Model  
 HP-NA-1000 Continous Model  
 Print Drum Circumference: 9.1" (227 mm)  
 Maximum Print Width: 1.0" (25 mm)  
 Weight: 2 Lbs - 12.5 Oz. (1.26 Kg)

These coders are ideal for printing alloy specifications on metal flat bar and sheet materials or printing lot numbers, date codes or product identification information on any flat, non-absorbent surface. The high quality impressions are both weather proof and fade resistant and can be applied at rates much faster than stenciling or conventional hand stamping.

The HP-NA-1000 Hand Printers are supplied with one of JMD'S disposable Type MT Black Ink Rolls. For maximum versatility, the inking system also accommodates re-inkable XF Neoprene Ink Rolls. RIBtype® rubber type and/or logo dies are sold separately.



59 Fountain Street Framingham, MA 01701 USA  
 Ph: (508) 620-6563 Fax: (508) 620-7563 Website: <http://www.jmdmfg.com>  
 1-800-752-5JMD (563)