

JMD**MANUFACTURING
INC.**59 Fountain St.
Framingham, MA 01702 (USA)

Tel : (508) 620-6563

Fax: (508) 620-7563

1-800-752-5JMD (563)

OM-PRINT™

Contact Printers

M-1 Palm Top Miniature Coder

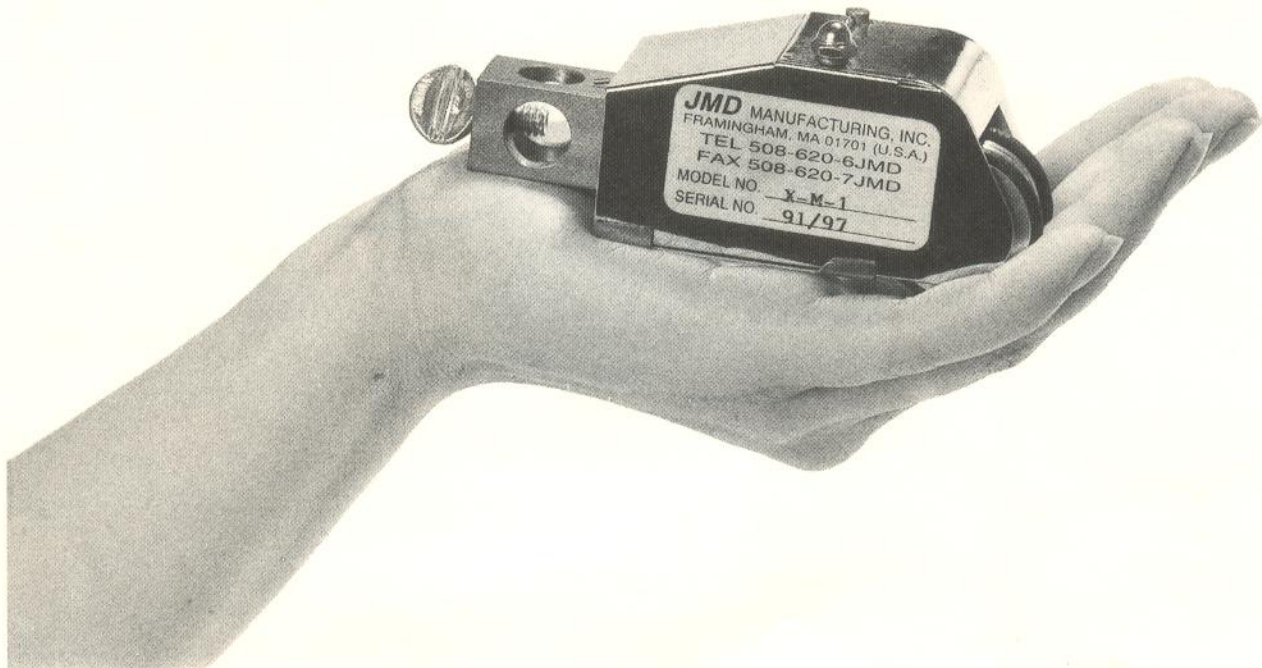
The M-1 Palm Top Miniature Coder is designed for applications where mounting space is severely limited, or container characteristics prohibit the use of larger and heavier imprinting machines. The M-1 Palm Top has gained wide acceptance in the food, drug and cosmetic industries. Using a quick change inking system, the Palm Top Coder may be used on all Packaging Materials. Its use is recommended for both individual and web applications.

TYPE ACCOMODATION

Baselock Rubber Type up to 1/4" high. Secured with 4" circumference aluminum baselock rings.

INKING SYSTEMS

Uses JMD's prefilled OM-PRINT™ Inc. Cartridges. "A" Type for use on porous surfaces. "B" Type for use on non-porous surfaces. Eccentric adjustment for contact between type and OM-PRINT™ provides positive ink feed and extended cartridge life.



INSTALLATION

The M-1 Palm Top Coder is furnished with a spring loaded integral mounting bracket. The bracket slips over a 1/2" shaft, supplied by the user, and is held in place with a thumb screw. Since the OM-PRINT™ Ink Cartridges are dripless, the Coder may be mounted in any position convenient to the installation.

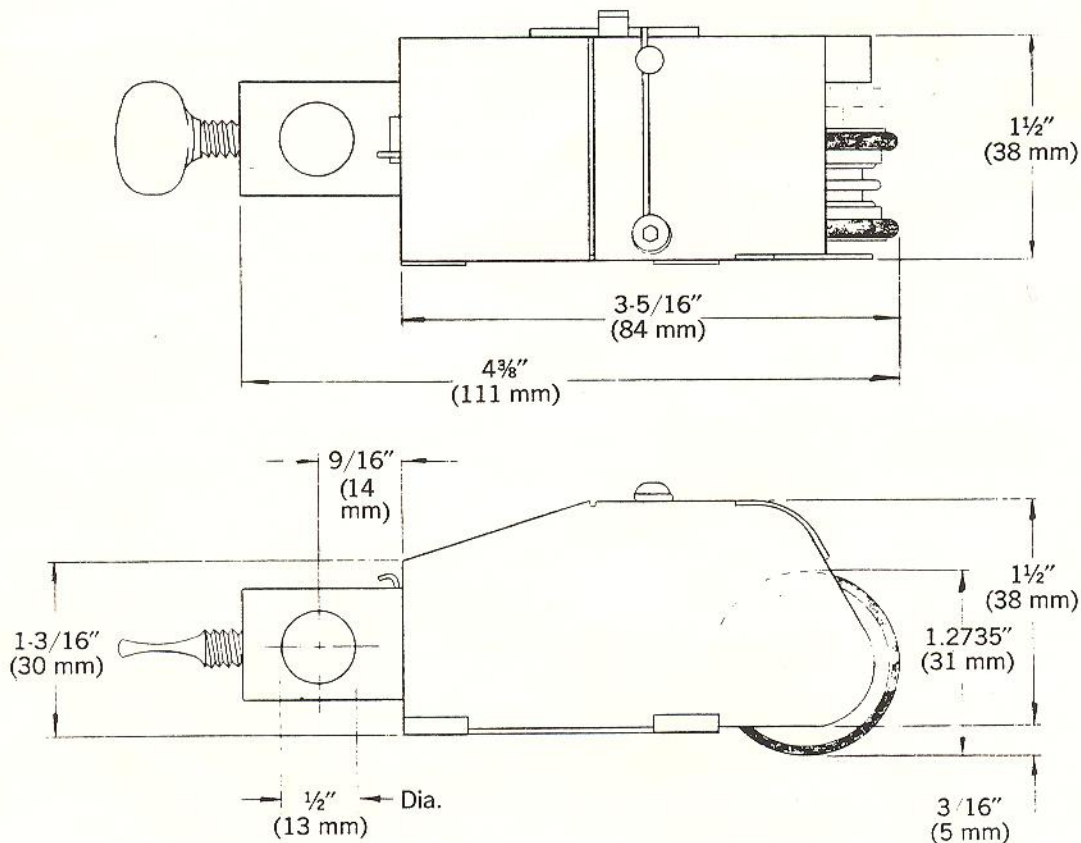
MAINTENANCE

OM-PRINT™ Cartridges and type replacements are made by removing the M-1's plated cover. The rollers are then able to slide free from their shafts.

SERVICE

All spare parts and expendable items, such as type and ink cartridges, are kept in stock and are shipped as orders are received.

Machine features and specifications subject to change without notice.



JMD Manufacturing, Inc., 59 Fountain Street, Framingham, Massachusetts 01702 (USA)
Tel: (508) 620-6563 Fax: (508) 620-7563 1-800-752-5JMD (563)