



**MANUFACTURING, INC.**

59 Fountain Street  
Framingham, MA 01702 (USA)  
Tel: (508) 620-6563 Fax: (508) 620-7563  
**1-800-752-5563**  
www.jmdmfg.com e-mail: info@jmdmfg.com

## AN INTRODUCTION TO OUR COMPANY

**JMD IS A MANUFACTURER AND GLOBAL DISTRIBUTOR** of a low cost, versatile and portable OM-CODE series of high quality Code Daters for marking and case coding applications, IMAGE-ON Ink Cartridges and other related supplies.

**JMD OFFERS PRODUCTION LINE MACHINERY** that has the capacity to print on various types of packaging materials such as:

Containers	Paper	Film	Tapes	Flexible laminates
Cartons	Plastic	Labels	Foils	...and more

**JMD** is represented in the Unites States by a direct sales force, manufacturer's representative and distributors, and has International distribution in over 30 countries.

**JMD'S OM-CODE SERIES OF CODE DATERS AND IMAGE –ON INK CARTRIDGES** have been in the market for over 25 years. They are virtually maintenance free and can be mounted anywhere at any time.

JMD'S PRODUCTS ARE USED:

- IN A WIDE RANGE OF INDUSTRIES INCLUDING:**

Food	pharmaceuticals	electronics
Cosmetics and toiletry products	contract packages	auto parts
Plastic films/paper/foil for wrappings		
....and more		
- BY A LARGE NUMBER OF MULTINATIONAL COMPANIES INCLUDING:**

Proctor & Gamble	Johnson and Johnson
Wella Corp	General Motors
Smith, Kline & Beecham	Oscar Mayer, Their contract packagers
....and more	
- FOR MARKING AND CODING APPLICATIONS OF THEIR PRODUCTS AND LABELS** with the date of manufacturing/expiry, lot number, price, company logo, company name, use by date..... and more.



**MANUFACTURING, INC.**

59 Fountain Street

Framingham, MA 01702 (USA)

Tel: (508) 620-6563 Fax: (508) 620-7563

**1-800-752-5563**

www.jmdmfg.com e-mail: info@jmdmfg.com

## **MARKING AND CODING SYSTEMS**

### **INTRODUCTION TO JMD'S MARKING AND CODING SYSTEMS**

JMD offers the finest line of manual and automatic Marking and Coding systems on the market today. We have made a long-term commitment to provide the ultimate in quality and dependability in our contact Marking and coding machines. While many of our competitors have shifted their total development efforts toward ink jet technology as the solution to Marking and coding problems, our research and development efforts have produced Marking and Coding solutions that are, in many cases, not only most cost effective but often far superior in performance.

A typical ink jet system will be 6-30 times the cost of a standard contact Marking and Coding system. Contact Marking and coding not only requires far less capital investment, but also in most cases, results in superior print quality and substantial savings in operating and long-term maintenance costs.

The JMD line of contact Marking and Coding systems includes Hand Printers for applications requiring Marking and Coding portability, Reciprocating Coders for applying codes to small parts where roll coders cannot be used, a wide selection of both Absorbent and Non- Absorbent roll coders for conveyed products and web printing and low pressure, atomizing spray markers for non- contact application of color codes. Some basic application parameters must be considered in order to determine which marking and Coding system is best for your application.

### **RANGE OF OUR PRODUCTS**

- CONVERTIBLE CODERS
- COMPACT CODERS
- HAND PRINTERS
- RECIPROCATING CODERS
- CONTACT PRINT FONTS
- INKS- CONTACT PRINTING, STAMPING & FLEXO PRINTERS
- INK ROLLERS
- CLEANING FLUIDS



MANUFACTURING, INC.

59 Fountain Street  
Framingham, MA 01702 (USA)  
Tel: (508) 620-6563 Fax: (508) 620-7563  
1-800-752-5563

www.jmdmfg.com e-mail: info@jmdmfg.com

## Series WNA-9 Mini Coder

- 1” print width, 9” Cir. Print Wheel
- Good for tight spaces
- Quick change print cylinder
- Conveyor mounted L or R
- Non-absorbent surfaces only
- Ideal for web/line marking



### SERIES WNA – 9

#### JMD Mini Web Non-Absorbent Conveyor Coders

The Non – Absorbent Mini-Coders are the smaller of the two machine styles and are available only in a 1” print width. The Mini – Coder versions of this machine have a 9” print drum circumference and are available in both reset and continuous styles. Top mount versions are used for printing on horizontal surfaces such as continuous web materials, and side mount versions are used primarily for printing on the sides of cartons or other vertical surfaces.

All Non-Absorbent Mini-Coders are equipped with Quick Change Print Drums. Additional print drums are available to facilitate off-line code changes. (See ordering information below for extra Quick Change Print Drums).

#### FEATURES INCLUDE:

- Can be mounted on right or left side of conveyor line without need for conversion.
- Reservoir inking system applies ink to roll on demand – not gravity feed system.
- Prints within ½” of conveyor belt (1-1/8” on reset models) ... ideal for short cartons or trays
- Available in reset (Spot Printing) and non- indexing (continuous printing) models

AVAILABILITY AND PRICES		
MODEL NUMBER	DESCRIPTION	CALL FOR PRICES
WNA – 109CM- LT	1” Continuous Mini-Coder -Left hand Top Mount	
WNA – 109CM -RT	1” Continuous Mini-Coder –Right Hand Top Mount	
WNA – 109CM - LS	1” Continuous Mini-Coder- Left Hand Side Mount	
WNA – 109CM - RS	1” Continuous Mini-Coder – Right Hand Side Mount	
WNA - 109RM - LT	1” Reset Mini-Coder- Left Hand Top Mount	
WNA - 109RM - RT	1” Reset Mini-Coder- Right Hand Top Mount	
WNA -109RM - LS	1” Reset Mini-Coder- Left Hand Side Mount	
WNA - 109RM - RS	1” Reset Mini-Coder- Right Hand Side Mount	

#### ORDERING EXAMPLE

WNA-9 Coder model numbers are keyed to features including:

1<sup>st</sup> 3 letters....Series code

1<sup>st</sup> digit.....Print Face width

2<sup>nd</sup>-3<sup>rd</sup> digit....Print drum circumference

4<sup>th</sup> letter.....Imprint capability ( C-continuous, R-reset).

5<sup>th</sup> letter...Machine type- Mini Coder

6<sup>th</sup> letter...Hand(RH or LH) mounting

7<sup>th</sup> letter...Ink cartridge location (T-top, S-side)



**MANUFACTURING, INC.**

59 Fountain Street

Framingham, MA 01702 (USA)

Tel: (508) 620-6563 Fax: (508) 620-7563

**1-800-752-5563**

www.jmdmfg.com e-mail: info@jmdmfg.com

<b>REPLACEMENT INK ROLLERS</b>		
<b>FACE WIDTH</b>	<b>NEOPRENE DRY</b>	<b>NEPRENE, PRE-INKED*</b>
1" list each	1001-118XF-C	1001-118XF-B

<b>SPARE QUICK CHANGE PRINT CYLINDERS</b>		
<b>PART NO.</b>	<b>DESCRIPTION</b>	<b>CALL FOR PRICES</b>
NA 109CM -PDA	1" Continuous Print Drum Assembly	
NA 109RM - PDA	1" Reset Print Drum Assembly	

\* **INKS:** Prices on JMD pre-inked rollers are only for standard black (BK) and Blue (BL). Ask for prices on all other colors. Specify application and surface when ordering.

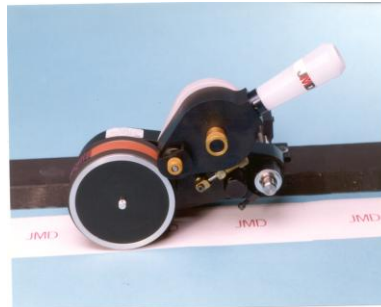
\* Quantity prices are available for volume discounts.



**MANUFACTURING, INC.**  
 59 Fountain Street  
 Framingham, MA 01702 (USA)  
 Tel: (508) 620-6563 Fax: (508) 620-7563  
 1-800-752-5563  
 www.jmdmfg.com e-mail: info@jmdmfg.com

## Series WNA-18 Line Coder

- **1"-2" Print width, 18" Cir. print Wheel**
- **Non –Absorbent Surfaces only**
- **Conveyor Mounted, Right or Left Hand**
- **Ideal for Web/Line Marking**
- **Neoprene Dry (with reservoir) or pre-inked Rollers**



### FEATURES INCLUDE:

- Consistent, high quality coding on non-porous materials like plastics, metals, varnished and waxed cartons
- Available in both top mount styles for web printing and side mount styles for cartons and other conveyed products
- Outstanding performance even with fast drying, pigmented, MIL-spec inks
- Precision machined using only top quality materials for low maintenance and superior long-term performance.

### AVAILABILITY AND PRICES

MODEL NUMBER	DESCRIPTION	Call For Prices
WNA- 118C- LT	1" Continuous Conveyor Line Printer- Left Hand Top Mount	
WNA- 118C- RT	1" Continuous Conveyor Line Printer -Right Hand Top Mount	
WNA- 118C- LS	1"Continuous Conveyor Line Printer -Left Hand Side Mount	
WNA-118C- RS	1"Continuous Conveyor Line Printer- Right Hand Side Mount	
WNA- 218C- LT	2" Continuous Conveyor Line Printer- Left Hand Top Mount	
WNA- 218C- RT	2"Continuous Conveyor Line Printer -Right Hand Top Mount	
WNA- 218C- LS	2"Continuous Conveyor Line Printer - Left Hand Side Mount	
WNA- 218C- RS	2"Continuous Conveyor Line Printer- Right Hand Side Mount	

**Also available in Reset Model. Ask for prices.**

### ORDERING EXAMPLE

WNA-18 Coder model numbers are keyed to features including:

- 1<sup>st</sup> 3 letters..... Series code
- 1<sup>st</sup> digit..... Print face width
- 2<sup>nd</sup>-3<sup>rd</sup> digits... Print Cylinder circumference
- 4<sup>th</sup> letter.....Imprint capability(c-Continuous, R- Reset)
- 5<sup>th</sup> letter.....Hand (RH or LH) coder mounting
- 6<sup>th</sup> letter.....Ink Cartridge location ( T-top, S- side ) mounted



**MANUFACTURING, INC.**

59 Fountain Street  
Framingham, MA 01702 (USA)  
Tel: (508) 620-6563 Fax: (508) 620-7563  
**1-800-752-5563**  
www.jmdmfg.com e-mail: info@jmdmfg.com

<b>REPLACEMENT INK ROLLERS</b>		
<b>FACE WIDTH</b>	<b>NEOPRENE DRY</b>	<b>NEOPRENE PRE-INKED*</b>
1" list each**	1001-118XF-C	1001-118XF-B
2" list each**	1002-218XF-C	1001-218XF-B

\*INKS: Prices on all JMD pre-inked rollers are only for standard colors Black (BK) and Blue (BL). Ask for prices on all other colors. Specify application and surface when ordering.

\*\*Quantity prices available for volume discounts.



MANUFACTURING, INC.

59 Fountain Street  
Framingham, MA 01702 (USA)  
Tel: (508) 620-6563 Fax: (508) 620-7563  
1-800-752-5563  
www.jmdmfg.com e-mail: info@jmdmfg.com

## Series CA-9 Mini Coder

- 1' – 2" Print Width, 9" Cir. Print Wheel
- Absorbent Surfaces only
- Small character printing
- Conveyor Mounted
- Right or Left hand
- Reset or Continuous
- Quick Change Print Cylinder



### SERIES CA-9

#### JMD Mini Absorbent Conveyor Coders

Mini-coders are designed to apply smaller character code data to cartons or other flat surface materials. The patented spring tension system allows the unit to be installed on either side of the conveyor line without modification. The unique inverted design enables the continuous Mini-Coder to print within ½" of the conveyor belt. Print drum circumference is 9.1" (231MM). Face width: 1" (28.5MM), 2" (50 MM).

#### FEATURES INCLUDE:

- Can be mounted on right or left side of conveyor line without need for conversion
- Reservoir inking system applies ink to roll only on demand – not a gravity feed system
- Prints within ½" of conveyor belt ( 1-1/8" on reset models....ideal for short cartons or trays ).
- Available in reset (spot printing) and non-reset (continuous printing) models.

AVAILABILITY AND PRICES				
MODEL NO.	DESCRIPTION	PRINT DRUM CIRCUMFERENCE	PRINT WIDTH	CALL FOR PRICES
CA- 109CM	1" Continuous Coder	9.1" (231 MM)	1.125" (28.5 MM)	
CA- 109RM	1" Reset Coder	9.1" (231 MM)	1.125" (28.5 MM)	
CA- 209CM	2" Continuous Coder	9.1" (231 MM)	2" (50.8 MM)	
CA- 209RM	2" Reset Coder	9.1" (231 MM)	2" (50.8 MM)	

#### ORDERING EXAMPLE

CA-9 Coder models numbers are keyed to features including:

- 1<sup>st</sup> 2 letters.....Series Code
- 1<sup>st</sup> digit.....Print Face Width
- 2<sup>nd</sup>-3<sup>rd</sup> digit.....Print drum circumference
- 3<sup>rd</sup> letter.....Imprint capability ( C-continuous, R- reset)
- 4<sup>th</sup> Letter.....Machine type- Mini Coder



**MANUFACTURING, INC.**

59 Fountain Street  
Framingham, MA 01702 (USA)  
Tel: (508) 620-6563 Fax: (508) 620-7563  
**1-800-752-5563**  
www.jmdmfg.com e-mail: info@jmdmfg.com

SPARE QUICK CHANGE PRINT CYLINDERS		
PART NO	DESCRIPTION	CALL FOR PRICES
109CM- PDAB	1” Continuous Print Drum Assembly	
109RM- PDAB	1” Reset Print Drum Assembly	
209CM-PDAB	2” Continuous Print Drum Assembly	
209RM- PDAB	2” Reset Print Drum Assembly	

REPLACEMENT INK ROLLERS				
FACE WIDTH	MICROCELL DRY	MICROCELL PRE-INKED	XF-NEOPRENE DRY	XF-NEOPRENE PRE-INKED
1”	1001-109MC-C	1001-109MC-A	1001-109XF-C	1001-109XF-A
2”	1002-209MC-C	1002-209MC-A	1002-209XF-C	1001-209XF-A

**INKS:** Prices on all JMD pre-inked rollers are only for standard colors Black (BK) and Blue (BL). Ask for prices on all other colors. Specify application and surface when ordering. Quantity prices available for volume discounts.





**MANUFACTURING, INC.**  
 59 Fountain Street  
 Framingham, MA 01702 (USA)  
 Tel: (508) 620-6563 Fax: (508) 620-7563  
 1-800-752-5563  
 www.jmdmfg.com e-mail: info@jmdmfg.com

## Series CA- 18 Line Coder

- 1” – 4” Print Width, 18” Cir. Print Wheel
- Absorbent Surfaces only
- Conveyor Mounted
- Right or Left Hand
- Reset or Continuous



### SERIES CA-18

#### JMD ABSORBENT CONVEYOR CODERS

**JMD Case Conveyor Line Prints** automatically prints data on moving cartons and other flat surfaced materials with unsurpassed accuracy and legibility. These machines are mounted right on the conveyor line and require no power or operator assistance to print high quality impressions thousands of times a day. Available in both reset (spot Printing) and continuous (continuous printing) styles. Specify right or left-handed mount when ordering. Print drum circumference is 18” (457MM)

#### FEATURES INCLUDE:

- Reset and continuous models with print areas up to 4” x 17 ½”.
- Field convertible mounting configuration for printing on the top, side or bottom of the product
- Precision machined, impact resistant aluminum castings with polyurethane finish for corrosion resistance
- Permanently lubricated, sealed ball bearings in the print drum for extremely accurate, low friction drum rotation.
- Stainless steel mounting columns and shafts for durability even in harsh environments
- Reset mechanisms with dual compression springs mounted over stainless steel guide rods prevents spring breakage and provides unsurpassed Reset speed and accuracy
- Cartridges eliminate liquid ink mess and unnecessary downtime.

AVAILABILITY AND PRICES				
MODEL NO	DESCRIPTION	PRINT DRUM CIRCUMFERENCE	PRINT WIDTH	CALL FOR PRICES
CA – 118C	1” Continuous printer	18” (457 MM)	1-1/8” (28.5 MM)	
CA – 118R	1” Reset Printer	18” (457 MM)	1-1/8” (28.5 MM)	
CA – 218C	2” Continuous Printer	18” (457 MM)	2” (50.8 MM)	
CA – 218R	2” Reset Printer	18” (457 MM)	2” (50.8 MM)	
CA – 318C	3” Continuous Printer	18” (457 MM)	3” (76.2 MM)	
CA – 318R	3” Reset Printer	18” (457 MM)	3” (76.2 MM)	

**Also available in 4” print face width. Ask for prices.**

#### ORDERING EXAMPLES

CA-18 Coder model numbers are keyed to features including:

- 1<sup>st</sup> 2 letters.....Series code
- 1<sup>st</sup> digit.....Print Face width
- 2<sup>nd</sup> - 3<sup>rd</sup> digit.....Print cylinder circumference.
- 3<sup>rd</sup> letter.....Imprint capability ( C-continuous, R- reset)



**MANUFACTURING, INC.**

59 Fountain Street

Framingham, MA 01702 (USA)

Tel: (508) 620-6563 Fax: (508) 620-7563

**1-800-752-5563**

www.jmdmfg.com e-mail: info@jmdmfg.com

<b>REPLACEMENT INK ROLLERS**</b>		
<b>FACE WIDTH</b>	<b>NEOPRENE DRY</b>	<b>NEOPRENE PRE-INKED*</b>
1"	1001- 118NF-C	1001-118NF- A
2"	1002- 218NF- C	1002- 218NF- A
3"	1003- 318NF-C	1003-318NF-A

**INKS:** Prices on all JMD pre-inked rollers are only for standard colors Black (BK) and Blue ( BL). Ask for prices on all other colors. Specify application and surface when ordering.

\* **NEOPRENE ROLLS:** Available in varying density where long life and/or improved quality are considerations. Please request a quotation and specify long life MC (MICROCELL) or XF (extra Fine) as a suffix. Example: 1001-118XF-C would be a 1" face with dry extra fine print roll

\* Quantity prices are available for volume discounts.

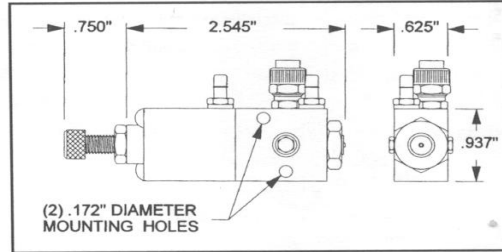


MANUFACTURING, INC.

59 Fountain Street  
Framingham, MA 01702 (USA)  
Tel: (508) 620-6563 Fax: (508) 620-7563  
1-800-752-5563  
www.jmdmfg.com e-mail: info@jmdmfg.com

## Micro-Mini Marker (MM Series)

- Color Coding Applications
- Prints round spots or stripes
- Ideal for product Identification Marks
- Invisible product coding
- Conveyor mounting or stand alone



### SERIES MM

#### JMD Micro- Mini Marker

Micro-Mini Marker Systems require 3-5 PSI atomizing air pressure and 70-80 PSI trigger air pressure to operate. Remote gravity feed or pressure fed ink reservoirs can handle extremely fast drying dye or pigmented inks for both absorbent and non- absorbent marking applications.

These markers excel when marking operations require extremely fast dry inks on non –absorbent surfaces. A stainless steel clean-out needle sits in the nozzle orifice after every cycle to insure that the marker will continue to print even after prolonged idle periods.

### FEATURES

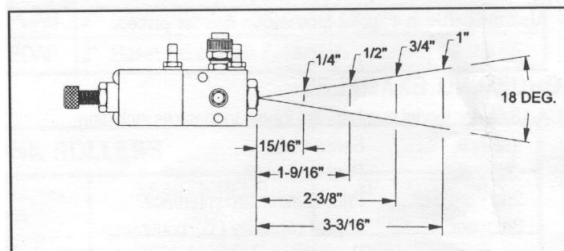
- Smallest, lightest weight in the industry
- Low pressure spray marking unit
- Prints up to 180 marks per minute
- Spot or stripe size from 3/16” to 1”
- High degree of marking and mounting flexibility.



MICRO-MINI MARKERS		
MODEL NO.	DESCRIPTION	CALL FOR PRICES
MM-12	Micro –Mini Marker	
MM-12AF	Micro-Mini Marker with adjustable fluid control	
MM-5800	Parts repair kit (rebuilds 1 Marker)	
MM-1068	Seal repair kit (rebuilds 3 markers)	

### SPRAY PATTERN

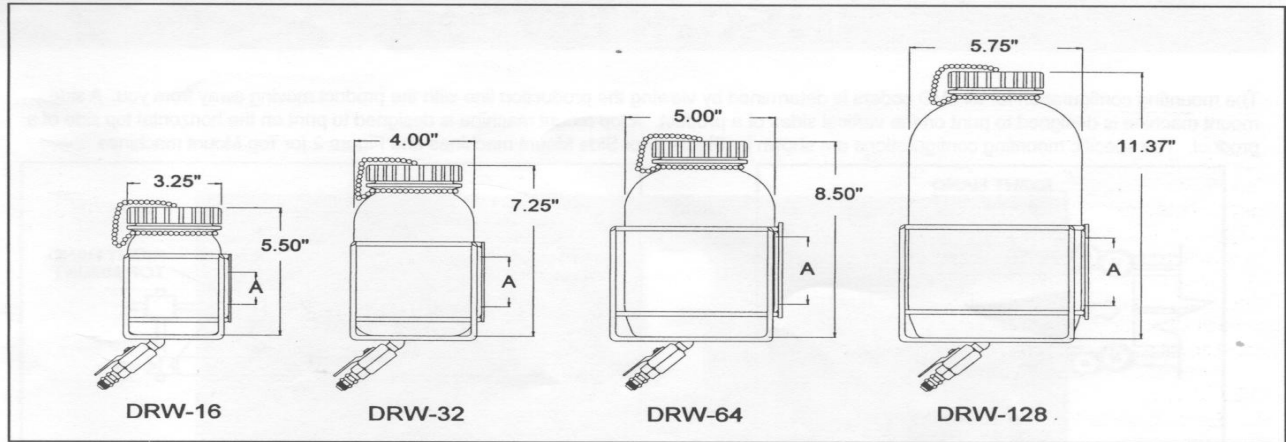
The Micro-Mini Marker fires an 18-degree conical spray pattern as shown in the figure to the right. The diameter of the spot or the width of the stripe mark being applied depends on the proximity of the part from the marker nozzle.





**MANUFACTURING, INC.**

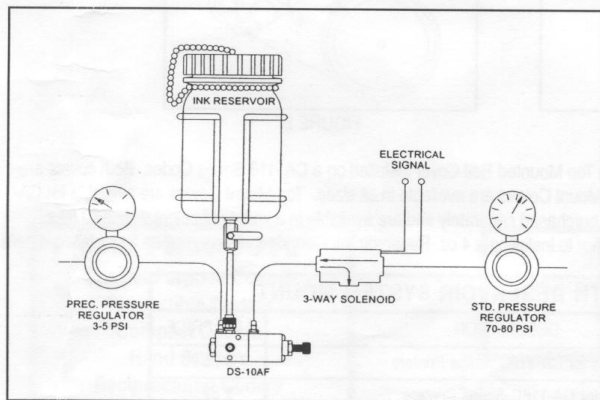
59 Fountain Street  
 Framingham, MA 01702 (USA)  
 Tel: (508) 620-6563 Fax: (508) 620-7563  
 1-800-752-5563  
 www.jmdmfg.com e-mail: info@jmdmfg.com



INK RESERVOIRS			
MODEL NO.	DESCRIPTION	MOUNTAIN HOLE SPACING "A"	CALL FOR PRICES
MM- DR16	16 oz. Gravity Feeder Ink Reservoir	1.37"	
MM- DR32	32 oz. Gravity Feeder Ink Reservoir	2.12"	
MM- DR64	64 oz. Gravity feeder Ink Reservoir	2.87"	
MM- DR128	128 oz. Gravity Feeder ink Reservoir	2.87"	

**Installation:** A typical installation is shown in the diagram at the left. When an electrical signal is applied to the three-way solenoid valve, the marker will fire until the signal is removed. A 100 millisecond duration is required to apply a 1/4" spot mark. A one-shot timer can be used to control the signal duration from a micro-switch or scanner.

Please contact our Engineering Department for application assistance and ink selection recommendations. Ancillary equipment such as Pressure Regulators, Solenoids and One-shot Timers are listed in the Control Components section of this manual.





MANUFACTURING, INC.

59 Fountain Street  
Framingham, MA 01702 (USA)  
Tel: (508) 620-6563 Fax: (508) 620-7563  
1-800-752-5563  
www.jmdmfg.com e-mail: info@jmdmfg.com

## CODING SYSTEMS INSTALLATION INFORMATION

The Mounting configuration for all JMD coders is determined by viewing the production line with the product moving away from you. A side mount machine is designed to print on the vertical sides of a product. A top mount machine is designed to print on the horizontal top side of a product. The specific mounting configurations are shown in figure 1 for Side Mount machines and Figure 2 for Top Mount machines.

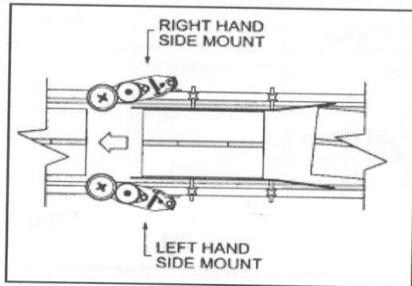


FIGURE 1

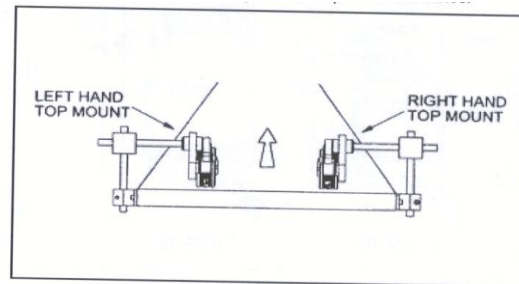


FIGURE 2

## RESERVOIR INKING SYSTEM

JMD'S Reservoir Inking System can be used with any of the CA series printers. Add the appropriate size roll cover and our 4 oz. Disposable Ink Cartridges will automatically apply ink to the ink roll during the printing operation. Unlike gravity systems that continue to feed ink when the conveyor line is stopped, JMD's Reservoir Inking System feeds ink only when the machine is actively printing

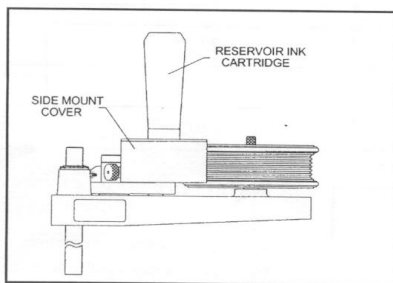


FIGURE A

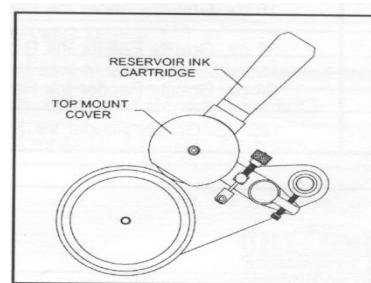


FIGURE B

Figure A shows a Side Mounted Roll Cover, and Figure B shows a Top Mounted Roll Cover installed on a CA-118 series Coder. Both covers are shown with 4 oz. Reservoir Ink Cartridges for reference. Side Mounted covers are available in all sizes. Top Mounted covers available for CA- 118 and CA -218 Series Coders only. The 4 oz. Cartridges are purchased separately and are available in a variety of colors with JMD Inks. Please note that the ink rolls on the coder must be pre-inked prior to installing a 4 oz. Reservoir Ink Cartridge. Please call us for ordering details.

## ROLL COVERS WITH RESERVOIR SYSTEM MOUNT



**MANUFACTURING, INC.**

59 Fountain Street

Framingham, MA 01702 (USA)

Tel: (508) 620-6563 Fax: (508) 620-7563

**1-800-752-5563**

www.jmdmfg.com e-mail: info@jmdmfg.com

MODEL NO.	DESCRIPTION	CALL FOR PRICES
CA-RR1-S	Side Mount Covers for CA-118C Series Printers	
CA-RR1-T	Top Mount Cover for CA-118C Series Printers	
CA-RR2-S	Side Mount Cover for CA-218C Series Printers	
CA-RR2-T	Top Mount Cover for CA-218C Series Printers	
CA-RR3-S	Side Mount Cover for CA-318C Series Printers	
CA-RR4-T	Top Mount Cover for CA-418C Series Printers	



MANUFACTURING, INC.

59 Fountain Street  
Framingham, MA 01702 (USA)  
Tel: (508) 620-6563 Fax: (508) 620-7563  
1-800-752-5563  
www.jmdmfg.com e-mail: info@jmdmfg.com

## Model HP Coders

- 2" Print Width
- 6.5" and 9.1" Print Cylinder Circumference
- Reset or Continuous
- Dry Cloth or Neoprene Ink Rollers
- Absorbent surfaces only



### JMD HAND PRINTER

The JMD Model HP coders are designed for efficient, manual applications of codes on cartons or other absorbent surfaced materials in the shipping room or warehouse where automatic coding is not possible. These lightweight coders are manufactured from anodized aluminum frames, using sealed ball bearings on the continuous models and have an eccentric knob for adjusting the ink roller contact to the die face. Standard features include a dry Microcell ink roll and JMD's versatile Ribtype die fastening system. XF Neoprene ink rolls are available for occasional applications where alcohol base non-absorbent inks must be used.

### FEATURES

- Convenient to operate
- Lightweight
- Quick change ink rollers.
- Long handle for better grip
- Reset (spot) or Continuous (Line) printing.

AVAILABILITY AND CALL FOR PRICES				
MODEL NO.	DESCRIPTION	LENGTH OF ARM	PRINT CYLINDER CIRCUMFERENCE	CALL FOR PRICES
HP65C	Small continuous Hand Printer	8.4" (213 MM)	6.5" (165 MM)	
HP91C	Large continuous Hand Printer	9.3" (236 MM)	9.1" (231 MM)	
HP91R	Large reset Hand Printer	9.3" (236 MM)	9.1" (231 MM)	

REPLACEMENT INK ROLLERS FOR HP PRINTERS		
MODEL NO.	DESCRIPTION	CALL FOR PRICES
HP-MC -C	Replacement Microcell Ink Roll- Dry	
HP-NX-C	Replacement XF Neoprene Ink Roll - Dry	

Microcell and XF Neoprene Hand Printer Ink Rolls are intended for use with an absorbent surface printing application. NX Neoprene Ink Rolls can be used with alcohol base inks for occasional non-absorbent printing applications.

**INKS:** Prices on all JMD pre-inked rollers are only for standard colors Black (BK) and Blue (BL). Ask for prices on all other colors. Specify application and surface when ordering.



**MANUFACTURING, INC.**  
 59 Fountain Street  
 Framingham, MA 01702 (USA)  
 Tel: (508) 620-6563 Fax: (508) 620-7563  
**1-800-752-5563**  
 www.jmdmfg.com e-mail: info@jmdmfg.com

## HP-NP 1000 Non-Porous Hand Printer

- **1" Print Width**
- **9.1" Print Cylinder Circumference**
- **Weight: 2 lbs-11.5 oz**
- **Reset or Continuous**
- **Non-Porous Application**
- **Use with Fast Drying Inks**



### JMD HP-NP 1000 Non-Porous Hand Printer

JMD's new Non-Porous Hand Printer fills the requirement for a portable, hand held roll coder for non-porous marking applications. This utilizes our Non-Porous Inking System technology to allow the use of inks that dry as fast as 2 seconds at 75 degree F. ambient temperatures.

Designed for marking on metal, plastic, glass, rubber and other materials that require fast drying solvent based inks. The inking system design effectively prevents evaporation of solvents from the enclosed ink roll. The print cylinder's reset mechanism provides for accurate print registration on smaller parts or the unit can be used in a continuous print mode for printing long lengths of materials such as metal sheets.

Precision machined from aircraft grade aluminum alloy, this coder is designed for "industrial duty" applications. The inking system can be used with either convenient disposable or inkable rolls.

### FEATURES

- Uses inks that dry as fast as 2 sec. At 75 degrees Celsius
- Marks on metals, plastics, glass, rubber, etc
- Convenient to operate.
- Lightweight – only 2 lbs – 11.5 oz.
- Quick change ink rollers.
- Reset (spot) or continuous (Line) printing

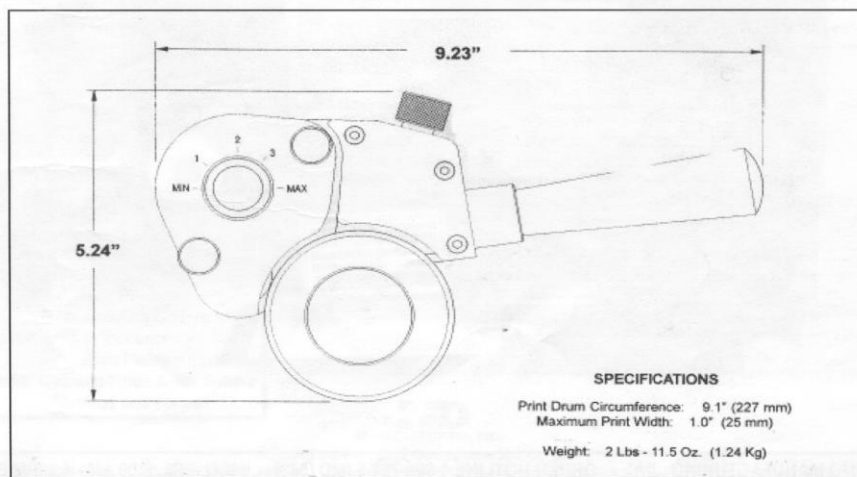
AVAILABILITY AND CALL FOR PRICES. Reset and Continuous Models		
MODEL NO.	DESCRIPTION	CALL FOR PRICES
HP-911NPC	Reset Non-Porous Hand Printer with 1"x 9.1 Circumference print Cylinder	
HP-911NPR	Continuous Non-Porous Hand Printer with 1"x 9.1 Circumference print Cylinder	





**MANUFACTURING, INC.**

59 Fountain Street  
 Framingham, MA 01702 (USA)  
 Tel: (508) 620-6563 Fax: (508) 620-7563  
**1-800-752-5563**  
 www.jmdmfg.com e-mail: info@jmdmfg.com



<b>REPLACEMENT INK ROLLERS</b>		
<b>Disposable Porelon Ink Rolls</b>		
MODEL NO.	DESCRIPTION	CALL FOR PRICES
1001-HPNP- P/BK	Black Pre- Inked Porelon Roll	
<b>XF Neoprene Ink Rolls – Re-inkable</b>		
MODEL NO	DESCRIPTION	CALL FOR PRICES
1001-HPNP-XF/C	XF Neoprene Ink Roll - Dry	
1001-HPNP-XF/BK	XF Neoprene Ink Roll –Pre-inked Black	
1001-HPNP-XF/RD	XF Neoprene Ink Roll – Pre -inked Red	
1001-HPNP-XF/GR	XF Neoprene Ink Roll – Pre – inked Green	
1001-HPNP-XF/BL	XF Neoprene Ink Roll – Pre – inked Blue	
1001-HPNP-XF/YL	XF Neoprene Ink Roll – Pre – inked Yellow	
1001-HPNP-XF/WT	XF Neoprene Ink Roll – Pre-inked white	
1001-HPNP-XF/VI	XF Neoprene Ink Roll – Pre – inked Violet	



**MANUFACTURING, INC.**  
 59 Fountain Street  
 Framingham, MA 01702 (USA)  
 Tel: (508) 620-6563 Fax: (508) 620-7563  
 1-800-752-5563  
 www.jmdmfg.com e-mail: info@jmdmfg.com

## Series 6-C Compact Precision Coders

- ½” – 3” Print Width, 6” Cir. Print Wheel
- Universal Mount
- Minimum space required
- Dry (with reservoir) or Pre-inked Rollers
- Absorbent or Non-Absorbent Surfaces



### SERIES 6-C

#### JMD Compact Precision Coder

The **JMD 6-C Compact Precision Coder** was especially designed for tight fit applications. Occupying a little more than 6 7/8” x 3 7/8” x 3 3/4”, the 6C compact can be used virtually anywhere on a production line. The ink cartridge is covered to minimize ink evaporation and dust contamination. Standard print cylinder is 6” circumference.

#### FEATURES INCLUDE

- Multiple line printing – Print width ½”, 1”, 2” and 3”
- Mounts in any direction – top, side or bottom.
- Requires minimum space
- Light weight.
- Versatile for web, labels and cartons
- Can be set up for reset (spot) or continuous line printing.

#### ORDERING EXAMPLES

1<sup>ST</sup> digit.....Print cylinder circumference

2<sup>nd</sup> letter.....R-Reset or C- Continuous.

3<sup>rd</sup> letter.....Inking system: C-Cloth covered Ink Roller ( IMAGE-ON)

4<sup>th</sup> digit...Face Width

5<sup>th</sup> digit...Type accommodation:

B-Baselock rubbery type

6<sup>th</sup> letter...C-Cover

AVAILABILITY AND PRICES				
All Models have 6” circumference and Baselock rings				
MODEL NO.	DESCRIPTION	PRINT CYLINDER	PRINT FACE WIDTH	CALL FOR PRICES
X-6CC1/2 BC	½” FW Continuous Compact Coder	6”	½”	
X-6RC1/2 BC	½” FW Reset Compact Coder	6”	½”	
X-6CC1 BC	1” FW Continuous Compact Coder	6”	1”	
X-6RC1 BC	1” FW Reset Compact Coder	6”	1”	
X-6CC2 BC	2” FW Continuous Compact Coder	6”	2”	
X-6RC2 BC	2” FW Reset Compact Coder	6”	2”	
X-6CC3 BC	3” FW Continuous Compact Coder	6”	3”	
X-6RC3 BC	3” FW Reset Compact Coder	6”	3”	

**NOTE:** These X-6CC models use IMAGE-ON cloth covered ink Rollers. Models are available which use Porelon ink rollers- Please ask for model numbers and conversion kit. Models are available which use adhesive back print plates—please ask for model numbers.

**NOTE:** All 6C coders are equipped with a JMD Dry cloth roller as standard.

A= Absorbent surfaces B= Non-absorbent surfaces.



**MANUFACTURING, INC.**

59 Fountain Street  
Framingham, MA 01702 (USA)  
Tel: (508) 620-6563 Fax: (508) 620-7563  
**1-800-752-5563**  
www.jmdmfg.com e-mail: info@jmdmfg.com

<b>REPLACEMENT INK ROLLERS FOR 6C COMPACT PRECISION CODERS</b>					
<b>IMAGE-ON CLOTH COVERED INK ROLLERS</b>				<b>PORELON INK ROLLERS</b>	
<b>FACE WIDTH</b>	<b>DIMENSION/ DESCRIPTION</b>	<b>DRY</b>	<b>PRE-INKED</b>	<b>DIMENSION/ DESCRIPTION</b>	<b>PRE-INKED</b>
½"	½" FW, 3 ½" OD, ¾" ID	1066-409-12C	1066-409-12 A/B	½" FW, 3 ½" OD, 17/8" ID	2002-M05F-BK
1"	1" FW, 3 ½" OD, ¾" ID	1001-409-12C	1001-409-12 A/B	1" FW, 3 ½" OD, 17/8" ID	2002-M10F-BK
2"	2" FW, 3 ½" OD, ¾" ID	1002-409-12C	1002-409-12 A/B	2" FW, 3 ½" OD, 17/8" ID	2002-M20F-BK
3"	3" FW, 3 ½" OD, ¾" ID	1003-409-12C	1003-409-12 A/B	3" FW, 3 ½" OD, 17/8" ID	2002-M30F-BK

**INKS:** Prices on all JMD pre-inked rollers are only for standard colors Black (BK) and Blue (BL). Ask for prices on all other colors. Specify application and surface when ordering.

Quantity prices are available for volume discounts.



**MANUFACTURING, INC.**

59 Fountain Street  
 Framingham, MA 01702 (USA)  
 Tel: (508) 620-6563 Fax: (508) 620-7563  
 1-800-752-5563  
 www.jmdmfg.com e-mail: info@jmdmfg.com

## M-1 Palm Top Miniature Coder

- Single Line Printing, 1/2" Print Width
- Suitable for limited space applications
- Vertical or Horizontal Mounting
- Excellent for Label or Web Printing



### MODEL M-1

#### JMD Palm TOP Miniature Coder

The JMD M-1 Palm Top Miniature Coder is designed for applications where mounting space is severely limited, or container characteristics prohibits the use of larger and heavier machines. The M-1 Palm Top has gained wide acceptance in the food, drug and cosmetic industries. Using a quick change inking system, the Palm Top Coder may be used on all packaging materials. It is recommended for box, label and web applications.

#### FEATURES

- Baselock rubber type up to 1/4" high. Secured with 4" circumference aluminum base lock rings
- Suitable for single line printing and up to 3/8" face width
- Vertical or horizontal mount
- Uses JMD Dry or pre-inked IMAGE-ON (Cloth) ink cartridges. "A" type for use on absorbent surfaces. "B" type for use on non-absorbent surfaces.
- Eccentric adjustment for contact between type and IMAGE-ON provides positive ink feed and extended cartridge life.

AVAILABILITY AND CALL FOR PRICES				
MODEL NO.	DESCRIPTION	PRINT CYLINDER CIRCUMFERENCE	PRINT FACE WIDTH	CALL FOR PRICES
X-MIC	1" FW Miniature Coder	4"	1"	

REPLACEMENT INK ROLLERS FOR MODEL M-1					
PRINT FACE WIDTH	INK ROLLER DESCRIPTION	PART NO. DRY	PART NO. PRE-INKED*	CALL FOR PRICES	
				DRY	PRE INKED
1/2"	IMAGE-ON (Cloth) cover	1001-CM1-C	1001-CM1-A/B*		
1/2"	Foam	1001-FM1-C	1001-FM1-A/B*		

**\*NOTE:** All M-1 coders are equipped with a JMD Dry Cloth Roller as standard.

A= Absorbent surfaces

B=Non-absorbent surfaces

REPLACEMENT SPARE PARTS			
ITEM NO.	PART NO.	QUANTITY	DESCRIPTION
3.1	61313-01	4	O RING
11	64144-01	1	Reset Spring

**INKS:** Prices on all JMD pre-inked rollers are only for standard colors Black (BK) and Blue (BL). Ask for prices on all other colors. Specify application and surface when ordering.

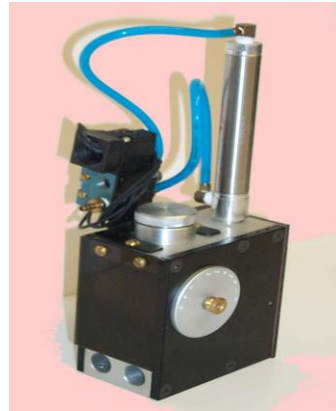


**MANUFACTURING, INC.**

59 Fountain Street  
Framingham, MA 01702 (USA)  
Tel: (508) 620-6563 Fax: (508) 620-7563  
**1-800-752-5563**  
www.jmdmfg.com e-mail: info@jmdmfg.com

## CC Series Reciprocating Coders

- **1", 2" Print Width**
- **Speeds up to 80 imprints per minute**
- **Universal Mounting**
- **Air/Air-Electric/ Photoelectric cycling**
- **Manual or Timed cycles**



### CC SERIES RECIPROCATING INPRINTERS

These printing machines operate electro-pneumatically and are made especially for printing variable information on products and packaging. They can print on-line to accommodate any production requirement and can be matched with intermittent motion in any position that is adaptable to any packaging line.

### FEATURES INCLUDE:

- Automates product marking
- Clear legible prints
- Versatile Imprinter – Prints on plastic, pouches ( LDPE, PE, PP, HDPE, metalized polyester, etc), cartons, boxes, bags, jars, cans, labels, (papers, laminated, varnished), metals, electronic parts etc.
- Extensive application in food, pharmaceutical, cosmetic, engineering, packaging industries, etc.
- High flexibility – Mounting on any F. F. S. machine for automatic operations or on a bench stand for manual operations.
- Adjustable cycle speeds up to 80 cycles per minute.
- Quick-change type holder for frequent changing of the print message.
- Calibrated ink cartridge holder allows better adjustment for consistent print legibility
- Models Available: Air/Electric and All Air Unit.

### ORDERING EXAMPLES

Imprint Model Numbers are keyed to features:

- 1<sup>st</sup> 2digits.....Series CC identification
- 3<sup>rd</sup> digit.....Print Width ( 1", 2" )
- 4<sup>th</sup> digit.....Print Length ( 1", 2" )
- 1<sup>st</sup> and 2<sup>nd</sup> letters...Primary Control Medium ( AA-All Air, AE-Air/Electric)



**MANUFACTURING, INC.**

59 Fountain Street  
Framingham, MA 01702 (USA)  
Tel: (508) 620-6563 Fax: (508) 620-7563  
**1-800-752-5563**  
www.jmdmfg.com e-mail: info@jmdmfg.com

<b>CALL FOR AVAILABILITY AND PRICES</b>			
MODEL NO.	PRINT SIZE	AE	AA
CC11	1" x 1"		
CC12	1" x 2"		

CC11-AE – 1" x 1" Print Size, Air/Electric System CC12-AA- 1" x 2" print Size, All Air System
--

**NOTE:** Customer to furnish mounting ports, air supply at 40-60 psi, air regulator and lubricator (mandatory) and 110v AC line for air/electric models

<b>REPLACEMENT INK ROLLERS</b>					
PRINT FACE WIDTH	INK ROLLER DESCRIPTION	PART NO. DRY	PART NO. PRE-INKED	CALL FOR PRICES **	
				DRY	PRE-INKED
1"	IMAGE-ON	1001-CM2-C	1001-CM2-A/B*		
2"	IMAGE-ON	1002-CM2-C	1002-CM2-A/B*		
1"	Foam	1001-FM2-C	1001-FM2-A/B*		
2"	Foam	1002-FM2-C	1002-FM2-A/B*		

**\*NOTE:** All JMD Reciprocating Coders are equipped with dry cloth roller as standard.

A= Absorbent

B=Non-absorbent

**INKS:** Prices on all JMD pre-inked rollers are only for standard colors Black (BK) and Blue (BL). Ask for prices on all other colors. Specify application and surface when ordering.

Quantity prices are available for volume discounts.